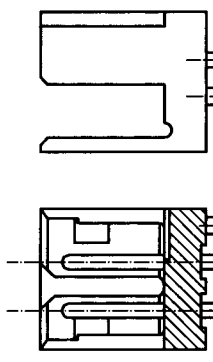
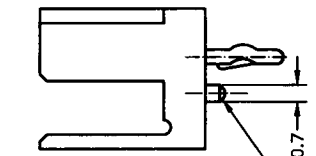
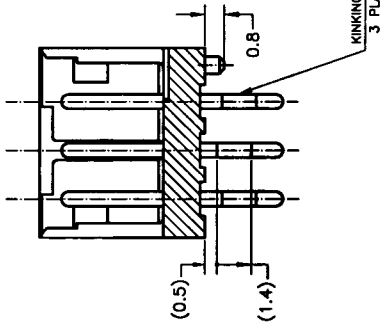
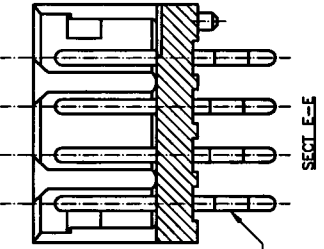
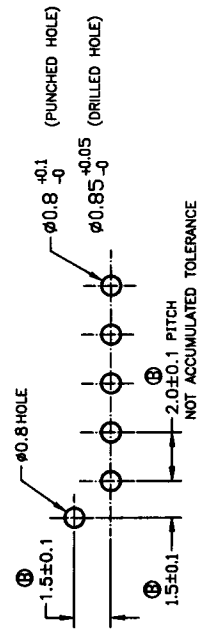
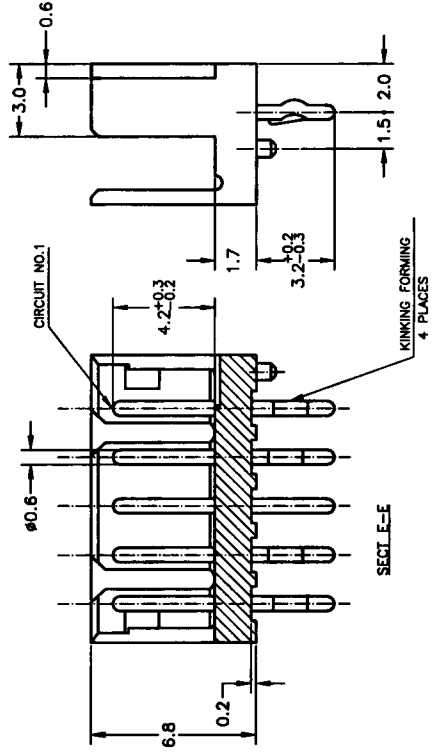
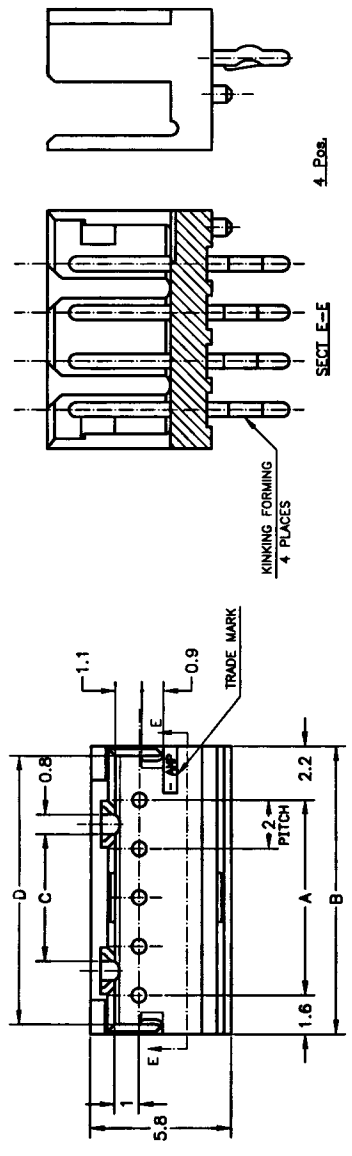


THIS DRAWING IS UNPUBLISHED. ALL RIGHTS RESERVED.		RELEASED FOR PUBLICATION	
© COPYRIGHT BY TYCO ELECTRONICS CORPORATION.		DATE	
LOG		DATE	
ES	00	08NOV03	S.X T.S
DESCRIPTION		19APR04	R.H T.S
A REVISED FB00-0188-03			
B REVISED FB00-0071-04			

NOTES:
1. MATERIAL: HOUSING - NYLON 66 (UL94V-0)
POST - TIN BRASS



TOLERANCES UNLESS OTHERWISE SPECIFIED:

0	PLC	±
1	PLC	±
2	PLC	±
3	PLC	±
4	PLC	±

ANGLES: ±

FINISH: ±

TOLERANCES UNLESS OTHERWISE SPECIFIED:
10 > * ±0.2
30 > * >10 ±0.25
100 > * >30 ±0.3
ANGLE ±3°

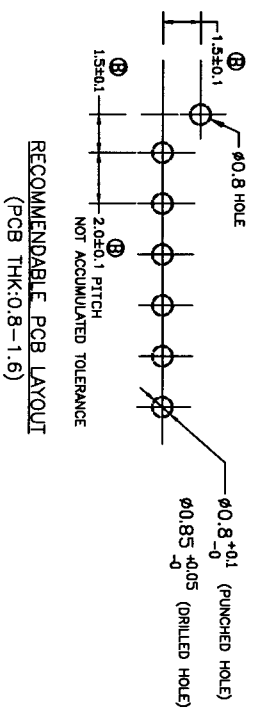
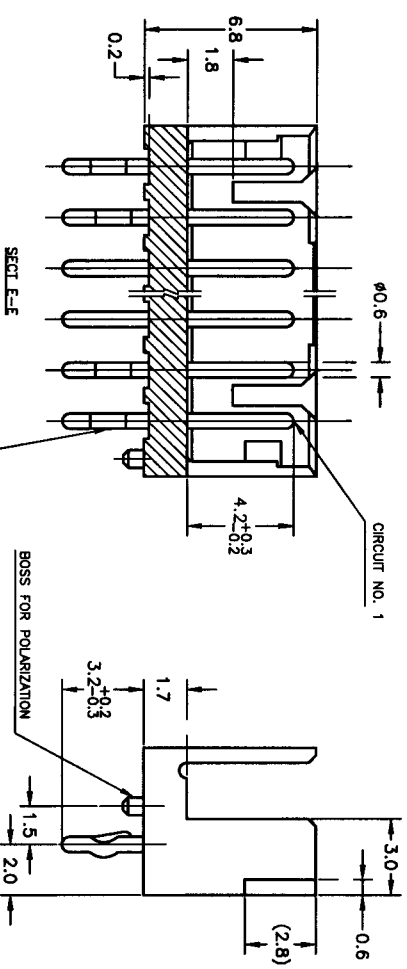
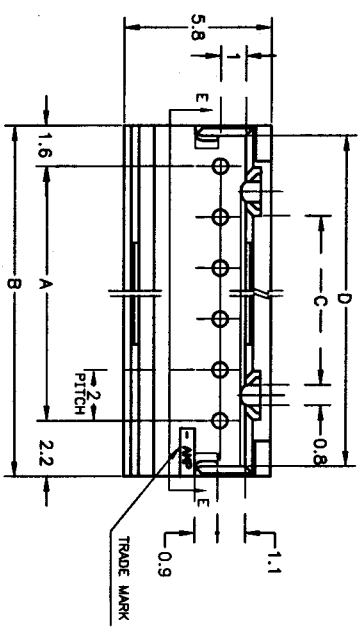
RECOMMENDABLE PCB LAYOUT
(PCB THK: 0.8-1.6)

THIS DRAWING IS A CONTROLLED DOCUMENT.

DESIGNER: JM	DATE: 08NOV03	SCALE: 5:1
DIMENSIONS: UNLESS OTHERWISE SPECIFIED	CHK: S.YAO	SHEET 1 OF 2
TOLERANCES UNLESS OTHERWISE SPECIFIED	APPROV: T. SASAKI	REV B
0 PLC ±	PRODUCT SPEC: 108-60016	
1 PLC ±	APPLICATION SPEC: -	
2 PLC ±	WEIGHT: -	
3 PLC ±	CUSTOMER DRAWING	
4 PLC ±		

TYCO Electronics Corporation	SHANGHAI, CHINA
NAME: POST HEADER ASSY POLARIZE TYPE (BOX-V TYPE)	(AMP CT CONNECTOR 2mm PITCH)
SIZE: A3	CHG CODE: 00779
DRAWING NO: C-292251	RESTRICTED TO: -

LOC	DIST	REV	DESCRIPTION	DATE	BY	APPD
ES	00	1	DM			
			SEE SHEET 1			



NOTES:
1. MATERIAL: HOUSING - NYLON 66 (UL94V-0)
POST - TIN BRASS

THIS DRAWING IS A CONTROLLED DOCUMENT.

DIMENSIONS:	TOLERANCES UNLESS OTHERWISE SPECIFIED:
0 P/LC	± .1
1 P/LC	± .1
2 P/LC	± .1
3 P/LC	± .1
4 P/LC	± .1
ANGLES	± .1
FINISH	± .1

MM	INCH
0.1	0.004
0.2	0.008
0.5	0.020
1.0	0.040
2.0	0.080
5.0	0.200
10.0	0.400
25.0	1.000
50.0	2.000
100.0	4.000
250.0	10.000
500.0	20.000
1000.0	40.000

MM	INCH	WAVE	POST HEAD ASSY POLARIZE TYPE (BOX-V TYPE)	AMP CT CONNECTOR 2mm PITCH	
1-292251-5	15	28	31.8	25.2	31.0
1-292251-4	14	26	29.8	23.2	29.0
1-292251-3	13	24	27.8	21.2	27.0
1-292251-2	12	22	25.8	19.2	25.0
1-292251-1	11	20	23.8	17.2	23.0
1-292251-0	10	18	21.8	15.2	21.0
1-292251-9	9	16	19.8	13.2	19.0
1-292251-8	8	14	17.8	11.2	17.0
1-292251-7	7	12	15.8	9.2	15.0
1-292251-6	6	10	13.8	7.2	13.0
1-292251-5	5	8	11.8	5.2	11.0
1-292251-4	4	6	9.8	3.2	9.0
1-292251-3	3	4	7.8	1.2	7.0
1-292251-2	2	2	5.8	0	5.0
1-292251-1	1	0	3.8	-1.8	3.0

MM	INCH	WAVE	POST HEAD ASSY POLARIZE TYPE (BOX-V TYPE)	AMP CT CONNECTOR 2mm PITCH	
1-292251-5	15	28	31.8	25.2	31.0
1-292251-4	14	26	29.8	23.2	29.0
1-292251-3	13	24	27.8	21.2	27.0
1-292251-2	12	22	25.8	19.2	25.0
1-292251-1	11	20	23.8	17.2	23.0
1-292251-0	10	18	21.8	15.2	21.0
1-292251-9	9	16	19.8	13.2	19.0
1-292251-8	8	14	17.8	11.2	17.0
1-292251-7	7	12	15.8	9.2	15.0
1-292251-6	6	10	13.8	7.2	13.0
1-292251-5	5	8	11.8	5.2	11.0
1-292251-4	4	6	9.8	3.2	9.0
1-292251-3	3	4	7.8	1.2	7.0
1-292251-2	2	2	5.8	0	5.0
1-292251-1	1	0	3.8	-1.8	3.0